

FRFULL (French Patents Full Text)

Subject Coverage	<ul style="list-style-type: none"> All patent-relevant areas of science and technology, i.e., all classes of the International Patent Classification. 			
File Type	Full Text			
Features	Thesauri	International Patent Classification (/IPC) , European Patent Classification (/EPC, /ICO), Cooperative Patent Classification (/CPC)		
	Alerts (SDIs)	Weekly or monthly (weekly is the default)		
	CAS Registry Number® Identifiers	<input type="checkbox"/>	Page Images	<input type="checkbox"/> STN® AnaVist™ <input type="checkbox"/>
	Keep & Share	<input checked="" type="checkbox"/>	SLART	<input checked="" type="checkbox"/> STN Easy® <input checked="" type="checkbox"/>
	Learning Database	<input type="checkbox"/>	Structures	<input type="checkbox"/>
Record Content	<ul style="list-style-type: none"> Full text of patent applications, patent specifications, and utility models published in France. Database records comprise all documents published for one application. Records of the database contain bibliographic data including patent applicant and inventor information, patent, application and priority application data, IPC, EPC, and CPC classification codes, plus the searchable text of the complete documents, comprising titles, abstracts, description and claims in English and French for all publication stages. Abstract, description, and claims in English are machine translations. Patents of invention (FRA) are available from 1902 to 1968. Documents for the whole period have abstracts, descriptions, and claims in English and French. Applications for patents of invention (FRA1) are available since 1969. Documents from 1969 onwards have abstracts, descriptions, and claims in English and French. Patents of invention (FRB1) are available since 1973. Abstracts in English are available from 1973 onwards; descriptions and claims in English and French are available from 1989 onwards. Clipped images (mostly front-page images) are also included, when available. Text has been created by Optical Character Recognition (OCR) software. Therefore, characters may be misinterpreted, or portions of the text may be incomplete. A small percentage of records are absent because they failed to scan. Legal status data, family and citation display formats from the INPADODB database are available. 			
File Size	<ul style="list-style-type: none"> More than 2.4 million family records with more than 3.14 million publications (01/2017) More than 1.9 million front page images from 1902 to present (01/2017) 			
Coverage	Comprehensive 1902 to present, first document from 1855			
Updates	Weekly			
Language	English, French			

Database Producer	LexisNexis Univentio BV Galileiweg 8 2333 BE Leiden The Netherlands Phone: (+31) 88-6390000 Email: customersupport@univentio.com Copyright Holder
Database Supplier	FIZ Karlsruhe STN Europe P.O. Box 2465 76012 Karlsruhe Germany Phone:+49 7247 808-555 Fax: +49 7247 808-259 Email: helpdesk@fiz-karlsruhe.de
Sources	<ul style="list-style-type: none">• French Patents Full Text Documents
User Aids	<ul style="list-style-type: none">• Online Helps (HELP DIRECTORY lists all help messages available)• STNGUIDE
Clusters	<ul style="list-style-type: none">• AEROTECH• ALLBIB• AUTHORS• CORPSOURCE• ENGINEERING• FULLTEXT• HPATENTS• PATENTS• PNTTEXT <p>STN Database Clusters information (PDF)</p>
Pricing	Enter HELP COST at an arrow prompt (=>).

Search and Display Field Codes

If multiple search terms are linked with and AND-operator, all terms are searched in the complete database record, i.e. in all publications referring to one application. For a search in a specific publication of the record, connect the search term and the patent kind code with the (L)-proximity operator, e.g. S FILTRER DES SIGNAUX/AB, TI, CLM (L) FRA1/PK limits the search to French applications FRA1.

Fields that allow left truncation are indicated by an asterisk (*).

General Search Fields

Search Field Name	Search Code	Search Examples	Display Codes
Basic Index* (contains single words from the titles (TIEN, TIFR), abstracts (ABEN, ABFR), detailed description (DETDEN, DETDFR), claims (CLM), and main claims (MCLM) fields)	None or /BI	S TRANSISTOR AND ELECTRODE S SENSOR FOR DETERMINER S TRAITEMENT? ULTERIEUR S ?TRANSFER	TIEN, TIFR, ABEN, ABFR, DETDEN, DETDFR, CLMEN, CLMFR, MCLMEN, MCLMFR
Abstract* (in English and French) Accession Number Application Country (WIPO code and text) Application Date (1) Application Number (2) Application Year (1) Claims* (in English and French) Cooperative Patent Classification (3) Cooperative Patent Classification, Action Date Cooperative Patent Classification, Keywords Cooperative Patent Classification, Version Document Type (code and text) Entry Date (1) Entry Week (1) European Patent Classification (3) Field Availability Graphic Image Size (1) ICO (in-computer-only) Classification (3) ICO Keyword Terms IdT (Indeling der Techniek) International Patent Classification (ICM, ICS, IPCI, IPCR) (3) International Patent Classification (ICM, ICS) Inventor (current and old) IPC, Action Date (1) IPC, Initial IPC, Keyword Terms IPC, Main IPC, Reclassified IPC, Secondary IPC, Version	/AB /AN /AC /AD /AP (or /APPS) /AY /CLM /CPC /CPC.ACD /CPC.KW /CPC.VER /DT (or /TC) /ED /EW /EPC (or /ECLA) /FA /GIS /ICO /ICO.KW /IDT /IPC /IC /IN (or /AU) /IPC.ACD /IPCI /IPC.KW /ICM /IPCR /ICS /IPC.VER	S FILTRER DES SIGNAUX/AB S PROCEDE SELON/AB S 2427770/AN S FR/AC S AD=JAN 2003 S FR2000-10010/AP S 2000FR-0010010/APPS S AY>=2000 S DERIVATION/CLM S C12N0009/CPC S 20121113/CPC.ACD S C12N0009/CPC (S) I/CPC.KW S 20130101/CPC.VER S U/DT S UTILITY MODEL/DT S ED=MAR 2004 S EW>200800 S A01B0033-08B2/EPC S ABEN/FA S 200-300/GIS S L29C0065:16+B10/ICO S A4/ICO.KW S B42D15/00C/IDT S H05K0007-20/IPC S A24B/IC S MANAUT DANIEL/IN S MANCEAUX?/IN S 20051008/IPC.ACD S B21B0001/IPCI S INITIAL/IPC.KW S A01N001/ICM S B21B0001/IPCR S A01B001-16/ICS S 7/IPC.VER	ABEN, ABFR AN AI AI AI AY CLMEN, CLMFR CPC CPC.TAB CPC.TAB CPC.TAB DT ED EW EPC FA GIS ICO ICO IDT ICM, ICS, IPCI, IPCR ICM, ICS IN IPC.TAB IPCI IPC.TAB ICM IPCR ICS IPC.TAB

Search and Display Field Codes (cont'd)

Search Field Name	Search Code	Search Examples	Display Codes
Language (ISO code and text)	/LA	S FRENCH/LA	LA
Language, Filing (ISO code and text)	/LAF	S FR/LAF	LAF
Main Claim* (in English and French)	/MCLM	S ?FRACTURE?/MCLM	MCLEN, MCLMFR
Number of Claims (1)	/CLMN	S 5-7/CLMN	CLMN
Number of Paragraphs in DETD (Detailed Description) (1)	/DETN	S DETN<10	DETN
Patent Applicant/Patentee	/PA (or /CS)	S BASF AG/PA	PA
Patent Applicant/Patentee Country (WIPO code and text)	/PA.CNY	S DE/PA.CNY	PA, PA.CNY
Patent Country (WIPO code and text)	/PC	S FRANCE/PC	PI
Patent Information Publication Type	/PIT	S FRA1 APPLICATION, FIRST PUBLICATION/PIT	PIT
Patent Kind Code	/PK	S FRA2/PK	PI
Patent Number (2)	/PN (or /PATS)	S FR 2929171/PN	PI, PATS
Patent Number Kind Code	/PNK	S FR2120002 A1/PNK	PI, PNK
Priority Country (WIPO code and text)	/PRC	S AU/PRC S AUSTRALIA/PRC	PRAI
Priority Date (1)	/PRD	S PRD=APRIL, 2 2003	PRAI
Priority Kind Code	/PRK	S DEA/PRK	PRAI
Priority Number (2)	/PRN	S DE2000-10023591/PRN	PRAI
Priority Type	/PRT	S NATIONAL APPLICATION/PRT	not displayed
Priority Year (1)	/PRY	S 1993/PRY	PRAI
Priority Year, First (1)	/PRYF	S 1993-1994/PRYF	PRAI, PRYF
Publication Date (1)	/PD	S PD=JAN-FEB 2003	PI
Publication Year (1)	/PY	S PY>2003 AND L1	PI
Title*	/TI	S FLUID###/TI	TIEN, TIFR
Update Date (1)	/UP	S UP=APR 2004	UP
Update Week (1)	/UW	S UW>200400	UW

(1) Numeric search field that may be searched using numeric operators or ranges.

(2) By default, patent numbers, application and priority numbers are displayed in STN Format. To display them in Derwent format, enter SET PATENT DERWENT at an arrow prompt. To reset display to STN Format, enter SET PATENT STN.

(3) An online thesaurus is available in this field.

International Patent Classification (/IPC) Thesaurus

The classifications, validity and catchwords for the main headings and subheadings from the current (8th) edition of the WIPO International Patent Classification (IPC) manual are available. The classifications from the previous editions (1-7) are also available as separate thesauri. To EXPAND and SEARCH in the thesauri for editions 1-7, use the field code followed by the edition number, e.g., /IPC2, for the 2nd edition. Catchwords are included only in the thesauri for the 8th, 7th, 6th, and 5th editions.

Code	Content	Examples
ADVANCED (ADV)	Advanced Codes for the Core Level IPC Code	E A61K0006-02+ADVANCED/IPC
ALL	All Associated Terms (BT, SELF, NT, RT)	E C01C003-00+ALL/IPC
BRO (MAN)	Complete Class	E C01C+BRO/IPC
BT	Broader Term (BT, SELF)	E C01F001-00+BT/IPC
CORE (COR)	Core Codes for the Advanced Level IPC Code	E G08C0019-22+CORE/IPC
ED	Complete title of the SELF term and IPC manual edition	E C01F001-00+ED/IPC
HIE	Hierarchy Term (Broader and Narrower Term) (BT, SELF, NT)	E C01B003-00+HIE/IPC

International Patent Classification (/IPC) Thesaurus (cont'd)

Code	Content	Examples
INDEX KT NEXT NT PREV RT (SIB) TI	Complete title of the SELF term Keyword Term (catchwords) (SELF, KT) Next Classification Narrower Terms (SELF, NT) Previous Classification Related Terms (SELF, RT) Complete Title of the SELF Term and Broader Terms (BT, SELF)	E C01F001-00+INDEX/IPC E CYANOGEN+KT/IPC E C01C001-00+NEXT5/IPC E C01C+NT/IPC E C01C001-12+PREV10/IPC E C01C003-20+RT/IPC E C01F001-00+TI/IPC

ECLA (/EPC) and ICO Thesauri

These thesauri are available in the /EPC search field (for ECLA codes) and /ICO search field (for 'in-computer-only' codes). All relationship codes can be used with both the EXPAND and SEARCH commands.

Relationship Code	Content	Search Examples
ALL AUTO (1) BT CODE DEF HIE KT MAX NEXT NEXT(n) NT PREV PREV(n) TI	All usually required terms (BT, SELF, CODE, DEF) Automatic relationship (BT, SELF, CODE, DEF) Broader terms (BT, SELF) Classification Code (SELF, CODE) Definition (SELF, DEF) Hierarchy terms (all broader and narrower terms) (BT, SELF, DEF, NT) Keyword terms (SELF, KT) All associated terms Next classification within the same class (SELF, NEXT) Next n classification within the same class Narrower terms Previous Code within the same class (SELF, PREV) Previous n classifications within the same class Complete Title of the SELF Term and Broader Terms (BT, SELF)	E C12M0001-34H2+ALL/EPC E G01J003-443+AUTO/EPC E G01J003-443+BT/EPC E SCRAPER BIASING MEANS+CODE/EPC E B65G0045-16+DEF/EPC E A01B0001+HIE/EPC E LASER+KT/EPC E G01J003-44B+MAX/EPC E A01B0001-24+NEXT/EPC E A01B0001-24+NEXT3/EPC E G05B0001-04+NT/EPC E G05B0019-418N1+PREV/EPC E G05B0019-418N1+PREV2/EPC E G05B0001-03+TI/EPC

(1) Automatic Relationship is SET OFF. In case of SET REL ON the result of EXPAND or SEARCH without any relationship code is the same as described for AUTO.

CPC Thesaurus

This thesaurus is available in the /CPC search field. All relationship codes can be used with both the EXPAND and SEARCH commands.

Relationship Code	Content	Search Examples
ALL AUTO (1) BT CODE DEF HIE KT	All usually required terms (BT, SELF, CODE, DEF) Automatic relationship (BT, SELF, CODE, DEF) Broader terms (BT, SELF) Classification Code (SELF, CODE) Definition (SELF, DEF) Hierarchy terms (all broader and narrower terms) (BT, SELF, DEF, NT) Keyword terms (SELF, KT)	E C12M0001-005+ALL/CPC E G01J003-443+AUTO/CPC E G01J003-443+BT/CPC E CARTRIDGES+CODE/CPC E B65G0045-16+DEF/CPC E A01B0001+HIE/CPC E LASER+KT/CPC

CPC Thesaurus (cont'd)

Relationship Code	Content	Search Examples
MAX	All associated terms	E G01J0003-44+MAX/CPC
NEXT	Next classification within the same class (SELF, NEXT)	E A01B0001-24+NEXT/CPC
NEXT(n)	Next n classification within the same class	E A01B0001-24+NEXT3/CPC
NT	Narrower terms	E G05B0001-04+NT/CPC
PREV	Previous Code within the same class (SELF, PREV)	E G05B0019-00+PREV/CPC
PREV(n)	Previous n classifications within the same class	E G05B0019-00+PREV2/CPC
TI	Complete Title of SELF Term and Broader Terms (BT, SELF)	E G05B0001-03+TI/CPC

DISPLAY and PRINT Formats

Any combination of formats may be used to display or print answers. Multiple codes must be separated by spaces or commas, e.g., D L1 1-5 TI PI. The fields are displayed or printed in the order requested.

The information of the latest publication is displayed by default. To display the content for all levels of the record you can combine all display fields and formats with the qualifier .M except FA, FAM, CFAM, LS, LS2, SCAN, and TRIAL.

For displaying a particular publication of a database record, you can simply add for certain display field the kind code to the appropriate display format, e.g. ALL.A1. Fields that allow this are indicated by a number (2).

Hit-term highlighting is available for most searchable fields. Highlighting must be ON during SEARCH to use the HIT, KWIC, and OCC formats.

Format	Content	Examples
ABEN	Abstract in English	D ABEN
ABFR	Abstract in French	D ABFR
AI (AP) (1)	Application Information	D AI
AN	Accession Number	D AN
CLM (2)	Claims (CLMFR, CLMEN)	D CLM
CLMEN (2)	Claims in English	D CLMEN
CLMFR (2)	Claims in French	D CLMFR
CLMN (2, 3)	Number of Claims	D CLMN
CPC	Cooperative Patent Classification	D CPC
CPC.TAB	CPC, Tabular	D CPC.TAB
DETD (2)	Detailed Descriptions (DETD, DETEN)	D DETD
DETDEN (2)	Detailed Description in English	D DETDEN
DETD (2)	Detailed Description in French	D DETDFR
DETN (2, 3)	Number of Paragraphs in DETD	D DETN
DT (TC)	Document Type	D DT
ED	Entry Date	D ED
EPC	European Patent Classification	D EPC
EW	Entry Week	D EW
FA	Field Availability	D FA
GI	Graphic Image	D GI
GIS (3)	Graphic Image	D GIS
GIT (3)	Graphic Image Type	D GIT
IC	IPC (format contains ICM, ICS)	D IC
ICM	IPC, Main	D ICM
ICO (3)	ICO Classification	D ICO
ICS	IPC, Secondary	D ICS
IDT (3)	IDT Classification	D IDT

DISPLAY and PRINT Formats (cont'd)

Format	Content	Examples
IN (AU) IPCI IPCR LA LAF MCLM (2) MCLMEN (2) MCLMFR (2) PA (CS) PA.CNY PI (PN, PATS) (1) PIT PRAI (PRN) (1, 5) PRAO (PRNO) (3) PRYF TI TIEN TIFR UP UW	Inventor IPC, Initial IPC, Reclassified Language Language of Filing Main Claims (MCLMFR, MCLMEN) Main Claim in English Main Claim in French Patent Applicant/Patentee Patent Applicant/Patentee Country Patent Information Patent Information Publication Type Priority Information Priority Number Original Format Priority Year, First Titles (TIEN, TIFR) Title in English Title in French Update Date Update Week	D IN D IPCI D IPCR D LA D LAF D MCLM D MCLMEN D MCLMFR D PA D PA.CNY D PI D PIT D PRAI D PRAO D PRYF D TI D TIEN D TIFR D UP D UW
AB (ABS) ALL (DALL) (1,2) ALLG (1,2) IALL (1,2) IALLFR (1,2) IALLG (1) APPS (1) BIB (1,2) IBIB (1,2) IBIBFR (1,2) BRIEF(1, 2) BRIEFG (1) BRIEF (1,2) IBRIEFFR (1,2) IBRIEFG (1) CPC.TAB FAM (1, 2) CFAM (1, 2) IND IPC IPC.TAB LS (2) LS2 (2) MAX (ALL.M) (1) MAXG (ALLG.M) (1) IMAX (IALL.M) (1) IMAXFR IMAXG (IALLG.M) (1) RE (2) SCAN (4)	ABEN, ABFR AN, ED, EW, UP, UW, TI , IN, PA, PA.CNY, LA, LAF, DT, PIT, PI, AI, PRAI, IPC, CPC, EPC, ICO, IDT, AB, DETDFR, CLMFR, DETDEN, CLMEN ALL, plus graphic Image ALL, indented with text labels ALL, Indented with text labels, French terminology IALL, plus graphic Image AI, PRAI AN, ED, TI, IN, PA, LA, LAF, DT, PIT, PI, AI, PRAI BIB, indented with text labels BIB, indented with text labels, French terminology AN, ED, EW, TI, IN, PA, LAF, DT, PIT, PI, AI, PRAI, IPC, CPC, EPC, ICO, IDT, AB, MCLM BRIEF, plus graphic Image BRIEF, indented with text labels BRIEF, indented with text labels, French terminology BRIEFG, indented with text labels CPC, CPC.KW, CPC.ACD, CPC.VER in tabular format AN, table of patent family information (from INPADOCDB) AN, condensed family format (from INPADOCDB) IPC (ICM, ICS, IPCI, IPCR), CPC, EPC, ICO, IDT IPC (ICM, ICS, ICA, ICI, IPCI, IPCR) IPC, IPC.KW, IPC.ACD, IPC.VER, in tabular version Legal Status (from INPADOCDB) Legal Status (from INPADOCDB), detailed version with display headers AN, ED, EW, UP, TI , IN, PA, PA.CNY, LA, LAF, DT, PIT, PI, AI, PRAI, IPC, CPC, EPC, ICO, IDT, AB, DETDFR, CLMFR, DETDEN, CLMEN for all levels of publication MAX, plus graphic Image MAX, indented with text labels MAX, Indented with text labels, French terminology IMAX, plus graphic Image Citations of patent and non-patent literature (from INPADOCDB) TI (random display without answer numbers)	D AB D ALL D ALLG D IALL D IALLFR D IALLG D APPS D BIB D IBIB D IBIBFR D BRIEF D BRIEFG D BRIEF D IBRIEFFR D IBRIEFG D CPC.TAB D FAM D CFAM D IND D IPC D IPC.TAB D LS D LS2 D MAX D MAXG D IMAX D IMAXFR D IMAXG D RE D SCAN

DISPLAY and PRINT Formats (cont'd)

Format	Content	Examples
STD (1,2)	AN, ED, TI, IN, PA, LA, LAF, DT, PIT, PI, AI, PRAI, IPC, CPC, EPC, ICO, IDT (STD is default)	D STD
STDG (1)	STD plus graphic Image	D STDG
ISTD (1,2)	STD, indented with text labels	D ISTD
ISTDFR (1,2)	STD, indented with text labels, French terminology	D ISTDFR
ISTDG (1)	ISTD, plus graphic Image	D ISTDG
TRIAL (TRI, SAMPLE, SAM, FREE)	TI, FA, DETN, CLMN, GIS, GIT	D TRIAL
TX (2)	DETDFR, CLMFR, DETDEN, CLMEN	D TX
HIT	Hit term(s) and field(s)	D HIT
KWIC	Up to 50 words before and after hit term(s) (Keyword-In-Context)	D KWIC
OCC	Number of occurrences of hit term(s) and field(s) in which they occur	D OCC

- (1) By default, patent numbers, application and priority numbers are displayed in STN Format. To display them in Derwent format, enter SET PATENT DERWENT at an arrow prompt. To reset display to STN Format, enter SET PATENT STN.
- (2) You can combine this display field with the qualifier .PK (Patent Kind Code) to display the content for a certain publication level of a record, e.g. STD.A1.
- (3) Custom display only.
- (4) SCAN must be specified on the command line, i.e., D SCAN or DISPLAY SCAN.
- (5) If priority information is not available for a certain document, this information is taken from the application information of this document and marked with an asterisk (*).

SELECT, ANALYZE, and SORT Fields

The SELECT command is used to create E-numbers containing terms taken from the specified field in an answer set.

The ANALYZE command is used to create an L-number containing terms taken from the specified field in an answer set.

The SORT command is used to rearrange the search results in either alphabetic or numeric order of the specified field(s).

You can combine all fields except FA with the qualifier .M to SELECT/ANALYZE the content of all publication levels.

Field Name	Field Code	ANALYZE/ SELECT (1)	SORT
Abstract (English and French)	AB	Y	N
Abstract in English	ABEN	Y (2)	N
Abstract in French	ABFR	Y (2)	N
Accession Number	AN	Y	Y
Application Country	AC	Y	N
Application Date	AD	Y	N
Application Information	AI (AP, APPS)	Y (3)	N
Application Year	AY	Y	N
Claims (English and French)	CLM	Y	N
Claims in English	CLMEN	Y (4)	N
Claims in French	CLMFR	Y (4)	N
CPC Classification	CPC	Y	Y
Designated State	DS	Y	N
Detailed Description (English and French)	DETD	Y (5)	N
Detailed Description in English	DETDEN	Y (5)	N
Detailed Description in French	DETDFR	Y (5)	N
Document Type	DT (TC)	Y	Y

SELECT, ANALYZE, and SORT Fields (cont'd)

Field Name	Field Code	ANALYZE/ SELECT (1)	SORT
Entry Date	ED	Y	Y
Entry Week	EW	Y	Y
European Patent Classification	EPC	Y	N
Field Availability	FA	Y	N
Graphic Image Size	GIS	Y	Y
International Patent Classification	IC	Y	N
Inventor	IN (AU)	Y	Y
ICO (in-computer-only) Classification	ICO	Y	Y
IdT Classification	IDT	Y	Y
IPC (ICM, ICS, ICA, ICI, IPCI, IPCR)	IPC	Y	Y
IPC, Advanced Level Symbols	IPC.A	Y (6)	N
IPC, Advanced Level Symbols for Invention	IPC.AI	Y (6)	N
IPC, Initial	IPCI	Y (6)	Y
IPC, Main	ICM	Y	Y
IPC, Reclassified	IPCR	Y (6)	Y
IPC, Secondary	ICS	Y	Y
Language	LA	Y	Y
Language of Filing	LAF	Y	Y
Main Claim (English and French)	MCLM	Y	N
Main Claim in English	MCLMEN	Y (7)	N
Main Claim in French	MCLMFR	Y (7)	N
Number of Claims	CLMN	Y	N
Number of Paragraphs in DETD	DETN	Y	N
Occurrence Count of Hit Terms	OCC	N	Y
Patent Applicant/Patentee Country	PA.CNY	Y	Y
Patent Applicant/Patentee	PA (CS)	Y	Y
Patent Country	PC	Y	Y
Patent Information Publication Type	PIT	Y	Y
Patent Kind Code	PK	Y	Y
Patent Number	PI (PN, PATS)	Y (3)	Y
Patent Number/Kind Code	PNK	Y	Y
Pre-IPC8 Symbols from the ICM and first IPC8 values from 2006-present	IPC.F	Y (6)	N
Priority Country	PRC	Y	Y
Priority Date	PRD	Y	Y
Priority Number	PRN (PRAI)	Y (3)	Y
Priority Number, Original Format	PRNO	Y	Y
Priority Year	PRY	Y	Y
Priority Year, First	PRYF	Y	Y
Publication Date	PD	Y	Y
Publication Year	PY	Y	Y
Title	TI	Y (8) (default)	Y
Title in English	TIEN	Y (9)	Y
Title in French	TIFR	Y (9)	Y
Update Date	UP	Y	Y
Update Week	UW	Y	Y

- (1) HIT may be used to restrict terms extracted to terms that match the search expression used to create the answer set, e.g., SEL HIT TI.
- (2) Appends /AB to the terms created by SELECT.
- (3) SELECTed, ANALYZed, and SORTed application, priority, and patent numbers are in the format set by the MESSENGER SET PATENT command, either Derwent or STN.
- (4) Appends /CLM to the terms created by SELECT.
- (5) Appends /BI to the terms created by SELECT.
- (6) Appends /IPC to the terms created by SELECT.
- (7) Appends /MCLM to the terms created by SELECT.
- (8) Selects TIEN and TIFR with /TI appended to the terms created by SELECT.
- (9) Appends /TI to the terms created by SELECT.

FRFULL

Sample Records**DISPLAY BIB.M**

AN 2865532 FRFULL ED 20050811 EW 200530
UP 20100117

TIEN Light weight field howitzer - includes a barrel which is supported by a
cradle constructed from hollow members and which is pivotally mounted
about a trunnion bearing secured to a chassis

TIFR PERFECTIONNEMENT AUX OBUSIERS DE CAMPAGNE

IN SEARLE HAROLD LESLIE; EAGLESTONE DAVID ANDREW; BONE JAMES

PA VICKERS SHIPBUILDING AND ENGINEERING LIMITED

PA.CNY GB

LAF French

LA French

DT Patent

PIT FRA1 APPLICATION FOR PATENT OF INVENTION, (FIRST PUBL.) (FROM 2,000,000)

PI FR 2865532 A1 20050729

AI FR 1990-7815 A 19900620

PRAI GB 1988-29192 A 19881214

AN 2865532 FRFULL ED 20100110
UP 20100110

TIEN IMPROVEMENT WITH THE FIELD HOWITZERS

TIFR PERFECTIONNEMENT AUX OBUSIERS DE CAMPAGNE

IN SEARLE HAROLD LESLIE; EAGLESTONE DAVID ANDREW; BONE JAMES

PA VICKERS SHIPBUILDING AND ENGINEERING LIMITED

PA.CNY GB

LAF French

LA French

DT Patent

PIT FRB1 PATENT OF INVENTION (SECOND PUBLICATION) (FROM 2,000,000)

PI FR 2865532 B1 20070810

AI FR 1990-7815 A 19900620

PRAI GB 1988-29192 A 19881214

DISPLAY IBRIEFFR

NUMERO D. ACCESSION: 2865532 FRFULL ED 20100110

TITRE (ANGLAIS): IMPROVEMENT WITH THE FIELD HOWITZERS

TITRE (FRANCAIS): PERFECTIONNEMENT AUX OBUSIERS DE CAMPAGNE

INVENTEUR(S): SEARLE HAROLD LESLIE; EAGLESTONE DAVID ANDREW; BONE
JAMES

DEPOSANT(S): VICKERS SHIPBUILDING AND ENGINEERING LIMITED

GB

LANGUE DEPOT: Francaise

LANGUE PUBL.: Francaise

NATURE D. PUBL.: Brevet

INFORM. PUBLICAT.:

	NUMERO	TYPE	DATE
	FR 2865532	B1	20070810
INF. APPLICATION:	FR 1990-7815	A	19900620
INFORM. PRIORITE:	GB 1988-29192	A	19881214
IPC ORIGINAL (ADV):	F41F0001-00	[I,A]	
IPC RECLASSIF. (ADV):	F41A0023-30	[I,A];	F41A0025-16 [I,A];
	F41A0027-08	[I,A];	F41A0027-24 [I,A];
	F41A0027-30	[I,A]	

REVENDEICATION PRINCIPALE (FRANCAIS):

1.- Obusier de campagne qui comprend : (i) un tube d'obusier (101) ; (ii) un

berceau (119A, 125, 126) supportant le tube et comportant une extremite arriere ; (iii) un chassis (117) ; et (iv) une structure support de tourillon (124) fixee sur le chassis (117) et comprenant un palier de tourillon (113) autour duquel l'extremite arriere du berceau est montee a pivotement, ledit palier de tourillon se trouvant sur l'axe (101A) du tube (101) et etant place au-dela de la limite du recul maximal du tube.

REVENDEICATION PRINCIPALE (ANGLAIS):

1. - Field howitzer which includes/understands: (I) a tube of howitzer (101); (II) a cradle (119A, 125,126) supporting the tube and comprising a back end; (III) a frame (117); and (iv) a structure support of pivot (124) fixed on the frame (117) and including/understanding a stage of pivot (113) around whose the end postpones du' cradle is assembled to swivelling, the aforementioned stage of being pivot on the axis (101A) tube (101) and being placed beyond the limit of the maximum retreat evil of the tube.

DISPLAY MAXG

AN 2929529 FRFULL ED 20091022 EW 200941
UP 20091110

TIEN BODY OF FIXING FOR A TE OF SPORT

TIFR ORGANE DE FIXATION POUR UN TE DE SPORT

IN YANG CHUI-CHING

PA CHUANG YII ENTERPRISE CO., LTD

PA.CNY TW

LAF French

DT Utility Model

PIT FRA3 APPLICATION FOR CERTIFICATE OF UTILITY, (FIRST PUBL.) (FROM
2,000,000)

PI FR 2929529U A3 20091009

AI FR 2008-52289 A 20080407

PRAI FR 2008-52289 A 20080407 *

IPCI A63B0071-00 [I,A]

A63B0071-00 [I,C*]

ABEN A body of fixing for a t-piece of sport presents a base (10) and a sleeve (20). The base (10) is out of plastic and present a tubular mounting (13). The sleeve (20) is metal and is assembled around the tubular mounting (13) of the base (10). The metal sleeve (20) protects the body from fixing with respect to wear by an elastic device (30) of the t-piece of sport. Consequently, the body of fixing with the base (10) out of plastic and the metal sleeve (20) can be carried ...

ABFR Un organe de fixation pour un te de sport presente une base (10) et un manchon (20). La base (10) est en matiere plastique et presente une monture tubulaire (13). Le manchon (20) est metallique et est monte autour de la monture tubulaire (13) de la base (10). Le manchon metallique (20) protege l'organe de fixation vis-a-vis de l'usure par un dispositif elastique (30) du te de sport. Par consequent, l'organe de fixation avec la base (10) en matiere plastique et le manchon ...

DETDFR ORGANE DE FIXATION POUR UN TE DE SPORT La presente invention porte sur un organe de fixation, en particulier sur un organe de fixation pour un te de sport qui peut etre realise facilement et qui est durable et de faible cout. Un te de sport classique comprend un organe de fixation, un dispositif elastique et une cible. L'organe de fixation peut etre monte sur un mur, un plancher, un plafond, une barre transversale ou similaires. Le dispositif elastique est maintenu sur l'organe de fixation et presente une extremite distale. La cible peut etre, ...

CLMFR 1 - Organe de fixation pour un te de sport, caracterise par le fait qu'il comprend : - une base (10) qui est en matiere plastique et qui a un connecteur (11) ayant une surface externe ; un siege (12) qui est

FRFULL

forme sur et fait saillie a partir de la surface externe du connecteur (11) et qui a une surface ...

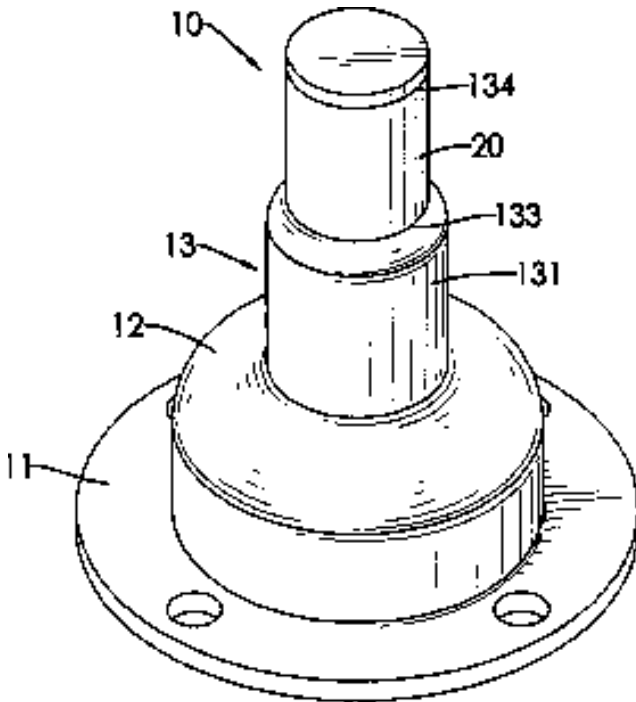
2 - Organe de fixation selon la revendication 1, caracterise par le fait que : - la monture tubulaire (13) de la base a en outre une cavite (133) qui est formee dans l'extremite distale de l'epaulement de montage (131) et correspondant au col de montage (132) ; ...

DETDEN BODY OF FIXING FOR a TE OF SPORT the present invention relates to a body of fixing, in particular on a body of fixing for a t-piece of sport which can be carried out easily and which is durable and of low costs. A traditional t-piece of sport includes/understands a body of fixing, an elastic device and a target. The body of fixing can be ...

...

CLMEN 1 - Body of fixing for a t-piece of sport, characterized by the fact that it includes/understands: - a base (10) which is out of plastic and which has a connector (11) having an external surface; a seat (12) which is formed on and made covered starting from the external surface of the connector (11) and which has ...

2 - Body of fixing according to claim 1, characterized by the fact that: - the tubular mounting (13) of the base has moreover a cavity (133) which is formed in the distal end of 1 ' shoulder of assembly (131) and corresponding to the collar of assembly (132); and a body of stop (134) which is larger than and which is formed on the distal ...



In North America
CAS
STN North America
P.O. Box 3012
Columbus, Ohio 43210-0012 U.S.A.

CAS Customer Center:
Phone: 800-753-4227 (North America)
614-447-3700 (worldwide)
Fax: 614-447-3751
Email: help@cas.org
Internet: www.cas.org

In Europe
FIZ Karlsruhe
STN Europe
P.O. Box 2465
76012 Karlsruhe
Germany
Phone: +49-7247-808-555
Fax: +49-7247-808-259
Email: helpdesk@fiz-karlsruhe.de
Internet: www.stn-international.com

In Japan
JAICI (Japan Association for
International Chemical Information)
STN Japan
Nakai Building
6-25-4 Honkomagome, Bunkyo-ku
Tokyo 113-0021, Japan
Phone: +81-3-5978-3601 (Technical Service)
+81-3-5978-3621 (Customer Service)
Fax: +81-3-5978-3600
Email: support@jaici.or.jp (Technical Service)
customer@jaici.or.jp (Customer Service)
Internet: www.jaici.or.jp