

## GBFULL (United Kingdom (GB) Patents Full Text)

<b>Subject Coverage</b>	<ul style="list-style-type: none"> <li>All patent-relevant areas of science and technology, i.e., all classes of the International Patent Classification</li> </ul>		
<b>File Type</b>	Full Text		
<b>Features</b>	Thesauri	International Patent Classification (/IPC ), European Patent Classification (/EPC and /ICO), Cooperative Patent Classification (/CPC)	
	<a href="#">Alerts (SDIs)</a>	Weekly or monthly (weekly is the default)	
	CAS Registry Number® Identifiers	<input type="checkbox"/>	Page Images <input type="checkbox"/> STN® AnaVist™ <input type="checkbox"/>
	<a href="#">Keep &amp; Share</a>	<input checked="" type="checkbox"/>	<a href="#">SLART</a> <input checked="" type="checkbox"/> <a href="#">STN Easy®</a> <input checked="" type="checkbox"/>
	Learning Database	<input type="checkbox"/>	Structures <input type="checkbox"/>
<b>Record Content</b>	<ul style="list-style-type: none"> <li>Full text of patent applications and patent specifications published in the United Kingdom.</li> <li>Patent specifications from publication year 1855 to the present. Patent applications begin in 1978, when the British Intellectual Property Office started to publish applications.</li> <li>Records of the database contain bibliographic data, including patent applicant and inventor information, patent, application and priority application data, IPC, EPC, and CPC classification codes, plus the searchable text of the complete documents, comprising titles, abstracts, description and claims.</li> <li>Text has been created by Optical Character Recognition (OCR) software. Therefore, characters may be misinterpreted, or portions of the text may be incomplete. A small percentage of records are absent because they failed to scan.</li> <li>Clipped images (mostly front-page images) from 1898 onwards are also included, when available.</li> <li>Database records comprise all documents published for one application.</li> <li>Legal status data, family and citation display formats from the INPADOCDB database are available.</li> </ul>		
<b>File Size</b>	<ul style="list-style-type: none"> <li>More than 2.83 million family records with more than 3.60 million publications (06/2016)</li> <li>More than 1.73 million front page images from 1893 to present (06/2016)</li> </ul>		
<b>Coverage</b>	Comprehensive 1893 to present, first document from 1782		
<b>Updates</b>	Weekly		
<b>Language</b>	English		
<b>Database Producer</b>	LexisNexis Univentio BV Galileiweg 8 2333 BE Leiden The Netherlands Phone: (+31) 88-6390000 Email: <a href="mailto:customersupport@univentio.com">customersupport@univentio.com</a> Copyright Holder		

**Database Supplier** FIZ Karlsruhe  
STN Europe  
P.O. Box 2465  
76012 Karlsruhe  
Germany  
Phone: +49-7247-808-555  
Fax: +49-7247-808-259  
Email: [helpdesk@fiz-karlsruhe.de](mailto:helpdesk@fiz-karlsruhe.de)

---

**Sources**

- Patent applications and granted patents published by the United Kingdom Intellectual Property Office

---

**User Aids**

- Online Helps (HELP DIRECTORY lists all help messages available)
- STNGUIDE

---

**Clusters**

- AEROTECH
- ALLBIB
- AUTHORS
- CORPSOURCE
- EBGINEERING
- FULLTEXT
- HPATENTS
- PATENTS
- PNTTEXT

[STN Database Clusters](#) information (PDF)

---

**Pricing** Enter HELP COST at an arrow prompt (=>).

---

## Search and Display Field Codes

If multiple search terms are linked with and AND-operator, all terms are searched in the complete database record, i.e. in all publications referring to one application. For a search in a specific publication of the record, connect the search term and the patent kind code with the (L)-proximity operator, e.g. S BOREHOLE/AB, TI, CLM (L) GBA/PK limits the search to British applications GBA.

Fields that allow left truncation are indicated by an asterisk (\*).

### General Search Fields

Search Field Name	Search Code	Search Examples	Display Codes
Basic Index* (contains single words from the title (TI), abstract (AB), detailed description (DETD), claims (CLM), and main claims (MCLM) fields)	None or /BI	S TRANSISTOR AND ELECTRODE S ACOUSTIC SENSOR S ?TRANSFER?	TI, AB, DETD, CLM, MCLM
Abstract*	/AB	S BOREHOLE/AB	AB
Accession Number	/AN	S 2403388/AN	AN
Application Country (WIPO code and text)	/AC	S GB/AC	AI
Application Date (1)	/AD	S AD=JAN 2003	AI
Application Number (2)	/AP	S GB2000-10050/AP	AI
	(or /APPS)	S 2000GB-0010069/APPS	
Application Year (1)	/AY	S AY>=2000	AI
Claims*	/CLM	S DERIVATION/CLM	CLM
Cooperative Patent Classification (3)	/CPC	S C12N0009/CPC	CPC
Cooperative Patent Classification, Action Date	/CPC.ACD	S 20121113/CPC.ACD	CPC.TAB
Cooperative Patent Classification, Keywords	/CPC.KW	S C12N0009/CPC (S) I/CPC.KW	CPC.TAB
Cooperative Patent Classification, Version	/CPC.VER	S 20130101/CPC.VER	CPC.TAB
Document Type (code and text)	/DT (or /TC)	S P/DT S PATENT/DT	DT
Entry Date (1)	/ED	S ED=JAN 2005	ED
Entry Week (1)	/EW	S EW>200400	EW
EPC, Keyword Terms	/EPC.KW	S D2/EPC.KW	EPC
European Patent Classification (3)	/EPC (or /ECLA)	S A01B0001-02B/EPC	EPC
Field Availability	/FA	S AB/FA	FA
Graphic Image Size (1)	/GIS	S L1 AND 400-500/GIS	GIS
ICO (in-computer-only) Classification (3)	/ICO	S L29C0065:16+B10/ICO	ICO
ICO Keyword Terms	/ICO.KW	S A4/ICO.KW	ICO
IdT (Indeling der Techniek)	/IDT	S B60R16/02B4B/IDT	IDT
International Patent Classification (ICM, ICS, IPCI, IPCR) (3)	/IPC	S A01B001/IPC	ICM, ICS, IPCI, IPCR
International Patent Classification (ICM, ICS)	/IC	S A24B/IC	IC, ICM, ICS
Inventor	/IN (or /AU)	S MANDEL SHELDON W/IN S MANDEL ?/IN	IN
IPC, Action Date (1)	/IPC.ACD	S 20051008/IPC.ACD	IPC.TAB
IPC, Initial	/IPCI	S B21B0001/IPCI	IPCI
IPC, Keyword Terms	/IPC.KW	S INITIAL/IPC.KW	IPC.TAB
IPC, Main	/ICM	S A01N001/ICM	ICM
IPC, Reclassified	/IPCR	S B21B0001/IPCR	IPCR
IPC, Secondary	/ICS	S A01B001-16/ICS	ICS
IPC, Version	/IPC.VER	S 7/IPC.VER	IPC.TAB
Language (code and text)	/LA	S EN/LA	LA
Language, Filing (code and text)	/LAF	S ENGLISH/LAF	LAF
Main Claim*	/MCLM	S ?FRACTURE?/MCLM	MCLM
Number of Claims (1)	/CLMN	S 5-7/CLMN	CLMN

## General Search Fields (cont'd)

Search Field Name	Search Code	Search Examples	Display Codes
Number of Paragraphs in DETD (Detailed Description) (1)	/DETN	S DETN<10	DETN
Patent Applicant/Patentee (4)	/PA	S BASF AG/PA	PA
Patent Applicant/Patentee Country (WIPO code and text)	(or /CS) /PA.CNY	S DE/PA.CNY	PA.CNY
Patent Country (WIPO code and text)	/PC	S GB/PC	PI
Patent Information Publication Type	/PIT	S "GBA PATENT SPECIFICATION (UNDER 2,000,000) OR PUBLISHED PATENT APPLICATION (FROM 2,000,000)"/PIT	PIT
Patent Kind Code	/PK	S GBA/PK	PI
Patent Number (2)	/PN	S GB2003005/PN	PI
Patent Number/Kind Code	(or /PATS) /PNK	S GB2000003 A/PNK	PI, PNK
Priority Country (WIPO code and text)	/PRC	S AU/PRC S AUSTRALIA/PRC	PRAI
Priority Date (1)	/PRD	S PRD=APRIL, 2 2003 S 20030402/PRD	PRAI
Priority Number (2)	/PRN	S DE2000-10001516/PRN	PRAI
Priority Type	/PRT	S NATIONAL APPLICATION/PRT	not displayed
Priority Year (1)	/PRY	S 1993/PRY	PRAI
Priority Year, First (1)	/PRYF	S 1993-1994/PRYF	PRAI, PRYF
Publication Date (1)	/PD	S PD=JAN-FEB 2003	PI
Publication Year (1)	/PY	S PY>2003 AND L1	PI
Title *	/TI	S FLUID###/TI	TI, TIEN
Update Date (1)	/UP	S UP=APR 2009	UP
Update Week (1)	/UW	S UW>200400	UW

(1) Numeric search field that may be searched using numeric operators or ranges.

(2) By default, patent numbers, application and priority numbers are displayed in STN Format. To display them in Derwent format, enter SET PATENT DERWENT at an arrow prompt. To reset display to STN Format, enter SET PATENT STN.

(3) An online thesaurus is available in this field.

(4) Search with implied (S) proximity is available in this field.

## International Patent Classification (/IPC) Thesaurus

The classifications, validity and catchwords for the main headings and subheadings from the current (8th) edition of the WIPO International Patent Classification (IPC) manual are available. The classifications from the previous editions (1-7) are also available as separate thesauri. To EXPAND and SEARCH in the thesauri for editions 1-7, use the field code followed by the edition number, e.g., /IPC2, for the 2nd edition. Catchwords are included only in the thesauri for the 8th, 7th, 6th, and 5th editions.

Code	Content	Examples
ADVANCED (ADV)	Advanced Codes for the Core Level IPC Code	E A61K0006-02+ADVANCED/IPC
ALL	All Associated Terms (BT, SELF, NT, RT)	E C01C003-00+ALL/IPC
BRO (MAN)	Complete Class	E C01C+BRO/IPC
BT	Broader Term (BT, SELF)	E C01F001-00+BT/IPC
CORE (COR)	Core Codes for the Advanced Level IPC Code	E G08C0019-22+CORE/IPC
HIE	Hierarchy Term (Broader and Narrower Term) (BT, SELF, NT)	E C01B003-00+HIE/IPC
INDEX	Complete title of the SELF term	E C01F001-00+INDEX/IPC
KT	Keyword Term (catchwords) (SELF, KT)	E CYANOGEN+KT/IPC
NEXT	Next Classification	E C01C001-00+NEXT5/IPC
NT	Narrower Terms (SELF, NT)	E C01C+NT/IPC
PREV	Previous Classification	E C01C001-12+PREV10/IPC
RT (SIB)	Related Terms (SELF, RT)	E C01C003-20+RT/IPC
TI	Complete Title of the SELF Term and Broader Terms (BT, SELF)	E C01F001-00+TI/IPC
ED	Complete title of the SELF term and IPC manual edition	E C01F001-00+ED/IPC

## ECLA (/EPC) and ICO Thesauri

These thesauri are available in the /EPC search field (for ECLA codes) and /ICO search field (for 'in-computer-only' codes). All relationship codes can be used with both the EXPAND and SEARCH commands.

Relationship Code	Content	Search Examples
ALL AUTO (1) BT CODE	All usually required terms (BT, SELF, CODE, DEF) Automatic relationship (BT, SELF, CODE, DEF) Broader terms (BT, SELF) Classification Code (SELF, CODE)	E C12M0001-34H2+ALL/EPC E G01J003-443+AUTO/EPC E G01J0003-443+BT/EPC E SCRAPER BIASING MEANS+CODE/EPC
DEF HIE	Definition (SELF, DEF) Hierarchy terms (all broader and narrower terms) (BT, SELF, DEF, NT)	E B65G0045-16+DEF/EPC E A01B0001+HIE/EPC
KT MAX NEXT NEXT(n) NT PREV PREV(n) TI	Keyword terms (SELF, KT) All associated terms Next classification within the same class (SELF, NEXT) Next n classification within the same class Narrower terms Previous Code within the same class (SELF, PREV) Previous n classifications within the same class Complete Title of the SELF Term and Broader Terms (BT, SELF)	E LASER+KT/EPC E G01J0003-44B+MAX/EPC E A01B0001-24+NEXT/EPC E A01B0001-24+NEXT3/EPC E G05B0001-04+NT/EPC E G05B0019-418N1+PREV/EPC E G05B0019-418N1+PREV2/EPC E G05B0001-03+TI/EPC

(1) Automatic Relationship is SET OFF. In case of SET REL ON the result of EXPAND or SEARCH without any relationship code is the same as described for AUTO.

## CPC Thesaurus

This thesaurus is available in the /CPC search field. All relationship codes can be used with both the EXPAND and SEARCH commands.

Relationship Code	Content	Search Examples
ALL AUTO (1) BT CODE DEF HIE	All usually required terms (BT, SELF, CODE, DEF) Automatic relationship (BT, SELF, CODE, DEF) Broader terms (BT, SELF) Classification Code (SELF, CODE) Definition (SELF, DEF) Hierarchy terms (all broader and narrower terms) (BT, SELF, DEF, NT)	E C12M0001-005+ALL/CPC E G01J003-443+AUTO/CPC E G01J0003-443+BT/CPC E CARTRIDGES+CODE/CPC E B65G0045-16+DEF/CPC E A01B0001+HIE/CPC
KT MAX NEXT NEXT(n) NT PREV PREV(n) TI	Keyword terms (SELF, KT) All associated terms Next classification within the same class (SELF, NEXT) Next n classification within the same class Narrower terms Previous Code within the same class (SELF, PREV) Previous n classifications within the same class Complete Title of SELF Term and Broader Terms (BT, SELF)	E LASER+KT/CPC E G01J0003-44+MAX/CPC E A01B0001-24+NEXT/CPC E A01B0001-24+NEXT3/CPC E G05B0001-04+NT/CPC E G05B0019-00+PREV/CPC E G05B0019-00+PREV2/CPC E G05B0001-03+TI/CPC

## DISPLAY and PRINT Formats

Any combination of formats may be used to display or print answers. Multiple codes must be separated by spaces or commas, e.g., D L1 1-5 TI AU. The fields are displayed or printed in the order requested.

The information of the latest publication is displayed by default. To display the content for all levels of the record you can combine all display fields and formats with the qualifier .M except FA, FAM, CFAM, LS, LS2, SCAN, and TRIAL.

For displaying a particular publication of a database record, you can simply add for certain display field the kind code to the appropriate display format, e.g. ALL.A1. Fields that allow this are indicated by a number (3).

Hit-term highlighting is available for all fields. Highlighting must be ON during SEARCH to use the HIT, KWIC, and OCC formats.

Format	Content	Examples
AB	Abstract	D TI AB 1-5
AI (AP) (1)	Application Information	D AI
AN	Accession Number	D L3 AN
CLM (3)	Claims	D CLM
CLMN (2,3)	Number of Claims	D CLMN
CPC	Cooperative Patent Classification	D CPC
CPC.TAB	CPC, Tabular	D CPC.TAB
DETD (3)	Detailed Description	D DETD
DETN (2,3)	Number of Paragraphs in DETD	D DETN
DT (TC)	Document Type	D DT LA
ED	Entry Date	D ED
EPC	European Patent Classification	D EPC
EW	Entry Week	D EW
FA	Field Availability (for all publication levels)	D FA
GI	Graphic Image	D GI
GIS (2)	Graphic Image Size	D GIS
GIT (2)	Graphic Image Type	D GIT
IC	IPC (format contains ICM, ICS)	D IC
ICM	IPC, Main	D ICM
ICO	ICO (in-computer-only) Classification	D ICO
ICS	IPC, Secondary	D ICS
IDT	IDT Classification	D IDT
IN (AU)	Inventor	D IN
IPCI	IPC, Initial	D IPCI
IPCR	IPC, Reclassified	D IPCR
LA	Language	D LA
LAF	Language of Filing	D LAF
MCLM (5)	Main Claim	D MCLM
PA (CS)	Patent Applicant/Patentee	D PA
PA.CNY	Patent Applicant/Patentee Country	D PA.CNY
PI (PNK, PATS) (1)	Patent Information	D PI
PIT	Patent Information Publication Type	D PIT
PNK	Patent Number/Kind Code	D PNK
PRAI (PRN) (1, 5)	Priority Information	D PRAI
PRAO (PRNO) (2)	Priority Number, Original Format	D PRAO
PRYF	Priority Year, First	D PRYF
TI	Title	D TI
UP	Update Date	D UP
UW	Update Week	D UW

**DISPLAY and PRINT Formats (cont'd)**

Format	Content	Examples
ABS ALL (1, 3)	AB, ED, EW AN, ED, EW, UP, TI, IN, PA, PA.CNY, LA, LAF, DT, PIT, PI, AI, PRAI, IPC, CPC, EPC, ICO, IDT, AB, DETD, CLM	D ABS D ALL
ALLG (1)	ALL, plus graphic image	D ALLG
IALL (1,3)	ALL, indented with text labels	D IALL
IALLG (1)	IALL, plus graphic image	D IALLG
APPS (1,3)	AI, PRAI	D APPS
BIB (1,3)	AN, ED, TI, IN, PA, LA, LAF, DT, PIT, PI, AI, PRAI	D BIB
IBIB (1,3)	BIB, indented with text labels	D IBIB
BRIEF (1,3)	AN, ED, EW, TI, IN, PA, LAF, DT, PIT, PI, AI, PRAI, IPC, CPC, EPC, ICO, IDT, AB, MCLM	D BRIEF
BRIEFG (1,4)	BRIEF, plus graphic image	D BRIEFG
IBRIEF (1,3)	BRIEF, indented with text labels	D IBRIEF
IBRIEFG (1,4)	BRIEFG, indented with text labels	D IBRIEFG
CPC.TAB	CPC, CPC.KW, CPC.ACD, CPC.VER in tabular format	D CPC.TAB
FAM (1, 2)	AN, table of patent family information (from NPADOCDB)	D FAM
CFAM (1, 2)	AN, Condensed family format (from INPADOCDB)	D CFAM
IND	ED, IPC (ICM, ICS, IPCI, IPCR), CPC, EPC, ICO, IDT	D IND
IPC	International Patent Classification (ICM, ICS, IPCI, IPCR)	D IPC
IPC.TAB	IPC, IPC.KW, IPC.ACD, IPC.VER, in tabular version	D IPC.TAB
LS (2)	Legal Status (from INPADOCDB)	D LS
LS2 (2)	Legal Status (from NPADOCDB), detailed version with display headers	D LS2
MAX (ALL.M) (1)	AN, ED, EW, UP, TI, IN, PA, PA.CNY, LA, LAF, DT, PIT, PI, AI, PRAI, IPC, CPC, EPC, ICO, IDT, AB, DETD, CLM, FA for all levels of publication	D MAX
MAXG (ALLG.M) (1)	MAX, plus graphic image	D MAXG
IMAX (IALL.M) (1)	MAX, indented with text labels	D IMAX
IMAXG (IALLG.M) (1)	IMAX, plus graphic image	D IMAXG
RE (2)	Citations of patent and non-patent literature (from INPADOCDB)	D RE
SCAN (4)	TI (random display without answer numbers)	D SCAN
STD (1,3)	AN, ED, TI, IN, PA, LA, LAF, DT, PIT, PI, AI, PRAI, IPC, CPC, EPC, ICO, IDT (STD is default)	D STD
STDG (1)	STD, plus graphic image	D STDG
ISTD (1,3)	STD, indented with text labels	D ISTD
ISTDG (1)	ISTD, plus graphic image	D ISTDG
TRIAL (TRI, SAMPLE, SAM, FREE)	TI, FA, DETN, CLMN, GIS, GIT	D TRIAL
TX (3)	DETD, CLM	D TX
HIT	Hit term(s) and field(s)	D HIT
KWIC	Up to 50 words before and after hit term(s) (KeyWord-In-Context)	D KWIC
OCC	Number of occurrences of hit term(s) and field(s) in which they occur	D OCC

- (1) By default, patent numbers, application and priority numbers are displayed in STN Format. To display them in Derwent format, enter SET PATENT DERWENT at an arrow prompt. To reset display to STN Format, enter SET PATENT STN.
- (2) Custom display only.
- (3) You can combine this display field with the qualifier .PK (Patent Kind Code) to display the content for a certain publication level of a record, e.g. STD.A8.
- (4) SCAN must be specified on the command line, i.e., D SCAN or DISPLAY SCAN.
- (5) If priority information is not available for a certain document, this information is taken from the application information of this document and marked with an asterisk (\*).

**GBFULL****SELECT, ANALYZE, and SORT Fields**

The SELECT command is used to create E-numbers containing terms taken from the specified field in an answer set.

The ANALYZE command is used to create an L-number containing terms taken from the specified field in an answer set.

The SORT command is used to rearrange the search results in either alphabetic or numeric order of the specified field(s).

You can combine all fields except FA with the qualifier .M to SELECT/ANALYZE the content of all publication levels.

Field Name	Field Code	ANALYZE/ SELECT (1)	SORT
Abstract	AB	Y	N
Accession Number	AN	Y	Y
Application Country	AC	Y	N
Application Date	AD	Y	N
Application Information	AI (AP, APPS)	Y (2)	N
Application Year	AY	Y	N
Claims	CLM	Y	N
CPC Classification	CPC	Y	Y
Detailed Description	DETD	Y (3)	N
Document Type	DT	Y	Y
Entry Date	ED	Y	Y
Entry Week	EW	Y	Y
European Patent Classification	EPC	Y	Y
Field Availability	FA	Y	N
Graphic Image Size	GIS	Y	N
International Patent Classification	IC	Y	N
Inventor	IN (AU)	Y	Y
ICO (in-computer-only) Classification	ICO	Y	Y
IdT Classification	IDT	Y	Y
IPC (ICM, ICS, ICA, ICI, IPCI, IPCR)	IPC	Y	Y
IPC, Advanced Level Symbols	IPC.A	Y (4)	N
IPC, Advanced Level Symbols for Invention	IPC.AI	Y (4)	N
IPC, Core Level Symbols	IPC.C	Y (4)	N
IPC, Core Level Symbols for Invention	IPC.CI	Y (4)	N
IPC, Initial	IPCI	Y	Y
IPC, Main	ICM	Y	Y
IPC, Reclassified	IPCR	Y	Y
IPC, Secondary	ICS	Y	Y
Language	LA	Y	Y
Language of Filing	LAF	Y	Y
Main Claim	MCLM	Y	N
Number of Claims	CLMN	Y (5)	N
Number of Paragraphs in DETD	DETN	Y (5)	N
Occurrence Count of Hit Terms	OCC	N	Y
Patent Applicant/Patentee Country	PA.CNY	Y	Y
Patent Applicant/Patentee	PA (CS)	Y	Y
Patent Country	PC	Y	Y
Patent Information Publication Type	PIT	Y	Y
Patent Kind Code	PK	Y	Y
Patent Number	PI (PN, PATS)	Y	Y
Patent Number/Kind Code	PNK	Y	Y
Pre-IPC8 Symbols from the ICM and first IPC8 values from 2006-present	IPC.F	Y (4)	N
Priority Country	PRC	Y	Y
Priority Date	PRD	Y	Y



**SELECT, ANALYZE, and SORT Fields (cont'd)**

Field Name	Field Code	ANALYZE/ SELECT (1)	SORT
Priority Number	PRN (PRAI)	Y	Y
Priority Number, Original Format	PRNO	Y	Y
Priority Year	PRY	Y	Y
Publication Date	PD	Y	Y
Publication Year	PY	Y	Y
Title	TI	Y (default)	Y
Update Date	UP	Y	Y
Update Week	UW	Y	Y

- (1) HIT may be used to restrict terms extracted to terms that match the search expression used to create the answer set, e.g., SEL HIT TI.
- (2) Selects or analyzes application numbers with /AP appended to the terms created by SELECT.
- (3) Appends /BI to the terms created by SELECT.
- (4) Appends /IPC to the terms created by SELECT.
- (5) You can combine these display fields with the qualifier .PK (Patent Kind Code) to select the content for a certain publication level of a record. The normal search field code without the .PK extension is appended to selected terms.

**Sample Records****DISPLAY MAXG (STN format)**

```

AN      2418818 GBFULL      ED 20060509 EW 200614
                UP 20090708 UW 200927

TI      A method for providing a common platform for various CELP codecs
IN      NITIN ARORA
PA      SIEMENS AKTIENGESELLSCHAFT
PA.CNY  DE
LAF     English
LA      English
DT      Patent
PIT     GBA PATENT SPECIFICATION (UNDER 2,000,000) OR PUBLISHED PATENT
        APPLICATION (FROM 2,000,000)
PI      GB 2418818          A 20060405
AI      GB 2004-21852      A 20041001
PRAI    GB 2004-21852      A 20041001 *
IPCI    G10L0019-04       [I,A ]
        G10L0019-00       [I,C*]
IPCR    G10L0019-14       [I,A ]
EPC     G10L0019-14
AB      A method and an arrangement to provide a common platform for the encoder
        and decoder of various CELP codecs used during data/speech transmission
        within a communication network, wherein common portions (1 to 4) of said
        codecs were extracted and implemented on the common platform
        communicating with the remaining portions (5 to 10) of said codecs.

```

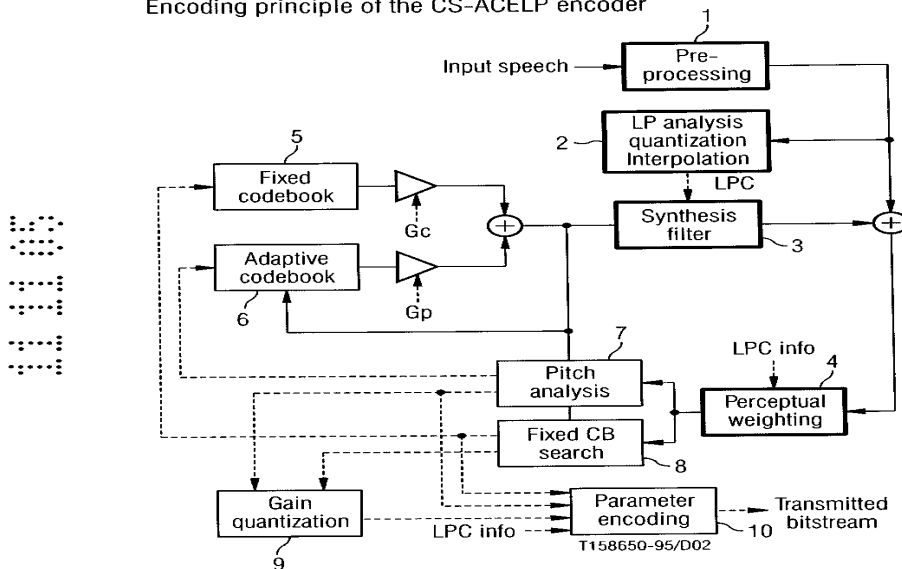
The presented invention particularly concerns in the 15 development of the VoIP access and trunk gateways. The demands of the customer features are increasing, wherein resources in the gates and memory in used DSP, FPGA or ASIC is limited. Supporting all the features or increasing number of features leads-on the one hand-to more expensive 20 ASIC, FPGA and DSP or lower port density achievement.

On the other hand every Telecom company is looking for the IP convergence, particularly a convergence of Voice, Data and Video in a single piece of equipment. A further important issue for the telecom companies is to save as much 25 bandwidth as possible during the data/speech transmission, but not with too much compromise of quality.

CLM 1. A method to provide a common platform for the encoder and decoder of various CELP codecs used during data/speech transmission within a communication networks, wherein common portions (1 to 4;11 to 15) of said codecs were extracted and implemented on the common platform communicating with the remaining portions(5 to 10;16 to 22) of said codecs. 10

1/2

**FIG 1**  
Encoding principle of the CS-ACELP encoder



AN 2418818 GBFULL ED 20060509 EW 200614  
UP 20090513 UW 200918

TI A method and an arrangement to provide a common platform for tencoder and decoder of various CELP codecs

IN NITIN ARORA  
PA SIEMENS AKTIENGESELLSCHAFT  
PA.CNY DE  
LAF English  
LA English

DT Patent  
 PIT GBB AMENDED PATENT SPECIFICATION (UNDER 2,000,000) OR PATENT SPECIFICATION (FROM 2,000,000)  
 PI GB 2418818 B 20070502  
 AI GB 2004-21852 A 20041001  
 PRAI GB 2004-21852 A 20041001 \*  
 IPCI G10L0019-04 [I,A ]  
 G10L0019-00 [I,C\*]  
 IPCR G10L0019-14 [I,A ]  
 EPC G10L0019-14

DETD A method and an arrangement to provide a common platform for the encoder and decoder of various CELP codecs DESCRIPTION The invention relates to a method an arrangement to provide a common platform for the encoder and decoder of various CELP codecs used during data/speech transmission within a communication networks.

BACKGROUND OF INVENTION The presented invention particularly concerns in the development of the VoIP access and trunk gateways. The demands of the customer features are increasing, wherein resources in the gates and memory in used DSP, FPGA or ASIC is limited. Supporting all the features or increasing number of features leads - on the one hand - ...

CLM 1. A method to provide a common platform for the encoder and decoder of various CELP codecs used during data/speech transmission within a communication networks, wherein common portions (1 to 4; 11 to 15) of said codecs were extracted and implemented on the common platform communicating with the remaining portions ( 5 to 10; 16 to 22) of said codecs.

**DISPLAY BRIEF (Derwent Format)**

AN 2471435 GBFULL ED 20110530 EW 201121 EDTX 20110502  
 UP 20111004 UW 201139 UPTX 20110607

TI Selectable tap outlet flow adjustor

IN MOHANARAJAH SITHAMPARANATHAN

PA MOHANARAJAH SITHAMPARANATHAN

PA.CNY GB

LAF English

LA English

DT Patent

PIT GBB AMENDED PATENT SPECIFICATION (UNDER 2,000,000) OR PATENT SPECIFICATION (FROM 2,000,000)

PI GB-----2471435 B 20110525

AI 2010GB-000018256 A 20101029

PRAI 2010GB-000001933 A 20100208

IPCI E03C-0001-04 [I,A]

EPC E03C0001-04D; B05B0001-12; B05B0001-16B3

EPC GB: E03C0001-04; E03C0001-04D

ICO L05B0001:12; L05B0001:16B3

AB The invention relates to a tap head designed to change water flowing from the tap head to run or spray. The tap head may comprise a control disk 2, a sprinkle/running disk 3 and a holding disk 4. The holding disk accommodates the other two disks within itself and helps connect the unit to a tap end by means of an external thread 4T. The control disk and sprinkle/running disk are made with the same pattern of alternative open and closed portions, except the sprinkle/running disk has a series of small holes 3H on its closed portions. Water runs when the open portion 2G of the control disk is facing the open portion 3J of the sprinkle/running disk, otherwise water will pass through the small holes in the sprinkle/running disk and exit as a spray. The holding disk and control disk are fixed and don't rotate at any time, whereas the

**GBFULL**

sprinkle/running disk rotates with the help of a Lever 3K.

- MCLM 1. A selectable tap outlet flow adjustor for controlling water flow, the flow adjustor being mountable to the outlet/ delivery end of a tap and comprising: a control disk for selecting the flow state comprising angularly spaced open voids spaced about an axis through which voids water passes when in use; and a spray forming disk, the spray forming disk also comprising angularly spaced open running voids spaced about an axis through which voids water may pass when in use but further comprising perforations in those parts of its body between the angularly spaced open voids through which perforations water may pass at a reduced spray rate when in use, the spray forming disk and control disk being axially rotatable with respect to 15 ...

---

**In North America**

CAS  
STN North America  
P.O. Box 3012  
Columbus, Ohio 43210-0012 U.S.A.

CAS Customer Center:  
Phone: 800-753-4227 (North America)  
614-447-3700 (worldwide)  
Fax: 614-447-3751  
Email: help@cas.org  
Internet: www.cas.org

**In Europe**

FIZ Karlsruhe  
STN Europe  
P.O. Box 2465  
76012 Karlsruhe  
Germany  
Phone: +49-7247-808-555  
Fax: +49-7247-808-259  
Email: helpdesk@fiz-karlsruhe.de  
Internet: www.stn-international.com

**In Japan**

JAICI (Japan Association for  
International Chemical Information)  
STN Japan  
Nakai Building  
6-25-4 Honkomagome, Bunkyo-ku  
Tokyo 113-0021, Japan  
Phone: +81-3-5978-3601 (Technical Service)  
+81-3-5978-3621 (Customer Service)  
Fax: +81-3-5978-3600  
Email: support@jaici.or.jp (Technical Service)  
customer@jaici.or.jp (Customer Service)  
Internet: www.jaici.or.jp